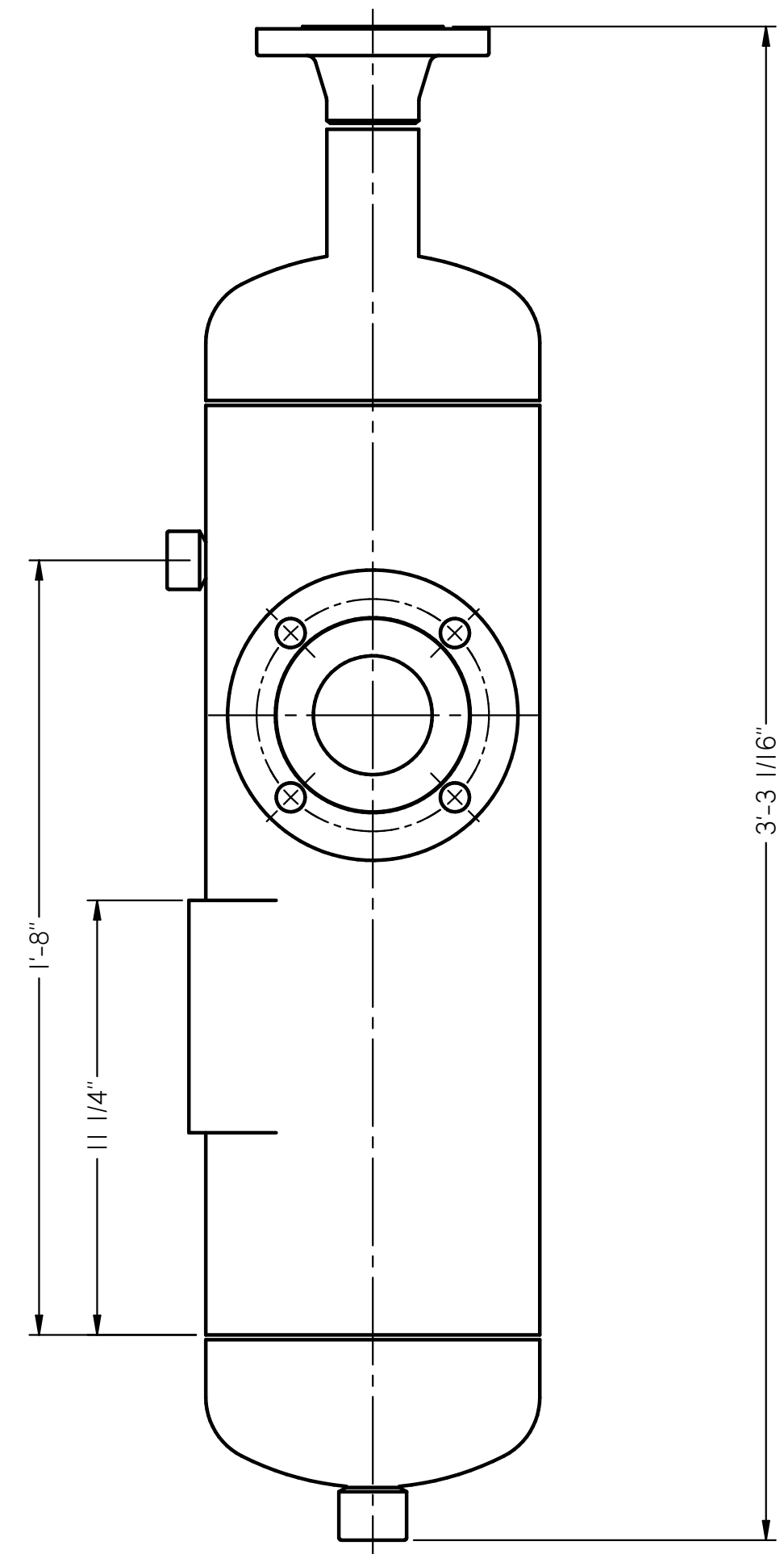
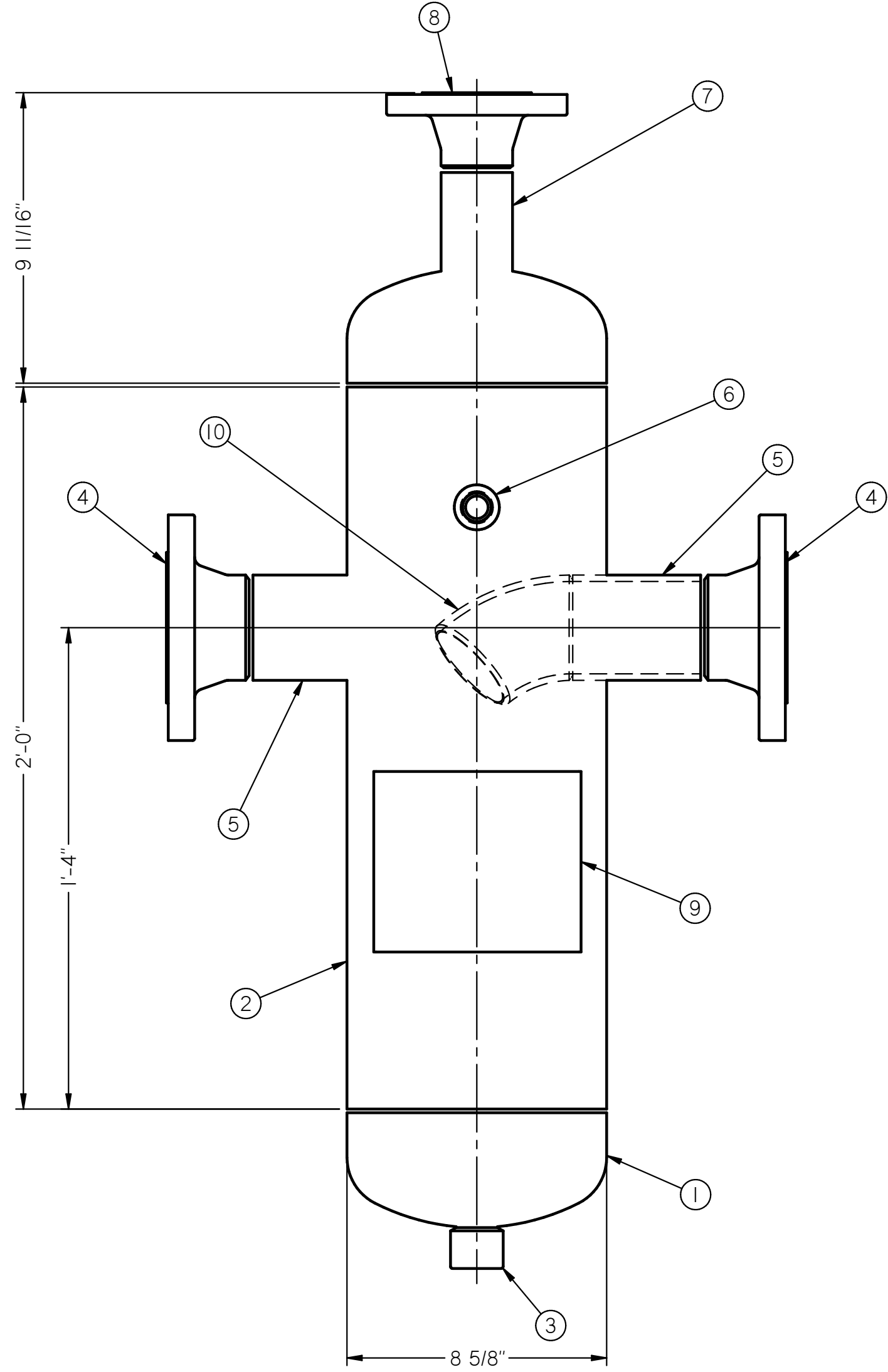


BILL OF MATERIAL			
Item	Quantity	Title	Material
1	2	8 5/8" OD x .328" MIN THK 2:1 ELLIPTICAL HEAD	SA516-70
2	1	8.625 OD PIPE x 24" LG	Stainless Steel, 316
3	1	1" 3000# MACH THD COUPLING	Stainless Steel, 316
4	2	3" STD RFWN WELD NECK FLANGE	Stainless Steel, 316
5	2	3" x STD SMLS. PIPE	Stainless Steel, 316
6	1	3/4" 3000# MACHINED COUPLING	Stainless Steel, 316
7	1	2" x XH SMLS. PIPE	A312 TP316 SS
8	1	2" 150# WNRF FLANGE SCH 40S BORE	A182 316 SS
9	1	NAMEPLATE BRACKET	Stainless Steel, 316
10	1	3" SCH 40S BUTT WELD 90° LR ELBOW	A403 316 SS



Tulsa, Ok. **TESCORP**
 Atlanta, Ga. P.O. Box 471453
 Tulsa, Oklahoma 74147

DATE: 2-14-2019	SCALE:	DRAWN BY: DB	APPRD:	REVISION: 00
STANDARD 8 5/8" OD INLET VESSEL 316 SS BTEX CONDENSOR UNIT				
CUSTOMER:		DRAWING NUMBER:		
		1401 - STD INLET VESSEL		

DATE	REVISION DESCRIPTION	BY: